

Description

The compact and flexible all-in-one solution REX consists of several perfectly matched components. It comprises the EM12-T supply module for the plus and minus potential via a single or double channel REX12-T electronic circuit protector which can be mounted side by side in any number and the PM12-T potential extension module for plus and minus multiplication. Connection of the only 12.5 mm wide modules is exclusively with push-in terminals which allow no-tool time-saving wiring.

The circuit protectors are placed on the symmetrical rail one after another in combination with EM12-T and PM12-T and are electrically connected by means of built-in connector arm - no further accessories are required. The circuit protector REX12-T offers selective overcurrent protection by responding to short circuit or overload faster than the switch mode power supply. Capacitive loads of up to 20,000µF can be switched on without problems. The circuit protector is available in all standard fixed and adjustable current ratings from 1 A to 10 A. Besides the UL508listed approval and NEC Class2, the REX12-T also meets the requirements of cable protection to EN60204-1.

US patent number: US 9,899,807 B2



Features

- Combination of supply modules, overcurrent protection and power distribution
- Selective load protection by means of electronic trip curve
- No accessories required for connecting the components
- Width per channel only 12.5 mm (1-channel) or 6.25 mm (2-channel)
- Fixed and adjustable current ratings 1 A - 10 A
- Integral fail-safe element, adjusted to max. current rating
- Switching capacitive loads up to 20,000 µF
- Manual ON/OFF/reset momentary switch
- Clear status indication by means of LED and signal contact Si
- Connection via push-in terminals including orange press release buttons

Benefits

- Saves cost – no further accessories required
- Saves 50 % time through innovative and flexible mounting and connection technology
- Saves space – with a width of only 12.5 mm per channel
- Provides flexibility through ease of mounting, disassembly and modular design
- Reduces storage costs because only one product is required for all current ratings

Preferred types – for more details on all configurations please see page 4

Preferred types are E-T-A products most frequently used by E-T-A customers. We manufacture E-T-A preferred types in particularly high

volumes. Our preferred types are supplied at shorter lead times than non-standard versions.

Preferred types

Preferred types	Short description	Preferred ratings (A)						
REX12-TA1	1-channel	2	4	6	10	2/2	4/4	6/6
REX12-TA1-107-DC24V-		x	x	x	x			
REX12-TA2	2-channel	2	4	6	10	2/2	4/4	6/6
REX12-TA2-107-DC24V-						x	x	x
REX12D-TE2	2-channel, adjustable	1 A...10 A						
REX12D-TE2-100-DC24V-		x						

Approvals



Data sheet

The current data sheet is available on our website: www.e-t-a.de/d359

Compliances



Technical data ($T_{amb} = +23\text{ }^{\circ}\text{C}$, $U_B = \text{DC } 24\text{ V}$)

REX12-Txx-xxx circuit protectors

REX12-TA1-107-DC24V-xA	1-channel
REX12-TB1-107-DC24V-xA	1-channel
REX12-TA2-107-DC24V-xA/xA	2-channel
REX12D-TE2-100-DC24V-xA-xA	2-channel

The REX12-TAx is operated in the standard mode with EM12-T. The REX12D-TE2 can be operated both with EM12D-T or EM12-T. The operating mode EM12D-T (COM mode) or EM12-T (standard) is recognised automatically. The following data exclusively refer to the standard mode:

Operating voltage U_B	DC 24 V (18...30 V)
Closed-circuit current I_0	
REX12-Tx1 1-channel in ON condition:	Typically 5 mA
REX12-TA2 2-channel in ON condition:	Typically 8 mA
REX12D-TE2 1 A-4 A 2-channel in ON condition:	Typically 9 mA
REX12D-TE2 1 A-10 A 2-channel in ON condition:	Typically 12 mA
Reverse polarity protection	Yes
Power failure buffering time	up to 10 ms
Rated current I_N	ratings:
REX12-Tx1	1 A, 2 A, 3 A, 4 A, 6 A, 8 A, 10 A
REX12-TA2	1 A/1 A, 2 A/2 A, 3 A/3 A, 4 A/4 A, 6 A/6 A
REX12D-TE2	1 A-4 A, 1 A-10 A condition upon delivery max. current rating
Visual status indication by means of LED	green: Load circuit connected green/orange blinking: load current warning limit reached 90 % orange: overload or short circuit until disconnection red: - after disconnection due to overload or short circuit - after undervoltage release of operating voltage in ON condition with autoreset OFF: Device switched off by means of ON/OFF momentary switch or no operating voltage

Load circuit

Load output	power MOSFET switching output (plus switching)
Load current warning limit (I_{WLimit})	typically $0.9 \times I_N$
hysteresis	typically 5 %
Overload current disconnection (I_{UL})	typically $I_{OL} = I_N \times 1.05$ $t_{OL} = 3s$
with trip times (t_{UL})	typically $I_{OL} = I_N \times 1.35$ $t_{OL} = 0.5s$ typically $I_{OL} = I_N \times 2.00$ $t_{OL} = 0.1s$ typically $I_{OL} = I_N \times 2.50$ $t_{OL} = 0.012s$
short circuit trip time (t_{SC})	typically at short circuit (I_{SC}) $t_{SC} = 0.002s^2$ see time/current characteristic
Influence of ambient temperature on overload disconnection and load current warning limit	see temperature factor table

Voltage drop in load circuit at I_N and at I_N 70 % for REX12-Txx between LINE+ and LOAD+

I_N : 1 A (CL2)	typically 180 mV	I_N : 70 %	typically 125 mV
I_N : 2 A (CL2)	typically 110 mV	I_N : 70 %	typically 80 mV
I_N : 3 A	typically 120 mV	I_N : 70 %	typically 85 mV
I_N : 3 A-CL2	typically 130 mV	I_N : 70 %	typically 90 mV
I_N : 4 A	typically 115 mV	I_N : 70 %	typically 80 mV
I_N : 4 A-CL2	typically 180 mV	I_N : 70 %	typically 120 mV
I_N : 6 A	typically 170 mV	I_N : 70 %	typically 110 mV
I_N : 8 A	typically 160 mV	I_N : 70 %	typically 105 mV
I_N : 10 A	typically 180 mV	I_N : 70 %	typically 120 mV

Technical data ($T_{amb} = +23\text{ }^{\circ}\text{C}$, $U_B = \text{DC } 24\text{ V}$)

REX12D-TE2-100-DC24V-1A-4A-CL2

I_N : 1 A-CL2	typically 50 mV	I_N : 70 %	typically 42 mV
I_N : 2 A-CL2	typically 90 mV	I_N : 70 %	typically 70 mV
I_N : 3 A-CL2	typically 135 mV	I_N : 70 %	typically 95 mV
I_N : 4 A-CL2	typically 180 mV	I_N : 70 %	typically 120 mV

REX12D-TE2-100-DC24V-1A-10A

I_N : 1 A	typically 30 mV	I_N : 70 %	typically 28 mV
I_N : 2 A	typically 39 mV	I_N : 70 %	typically 34 mV
I_N : 3 A	typically 48 mV	I_N : 70 %	typically 40 mV
I_N : 4 A	typically 57 mV	I_N : 70 %	typically 46 mV
I_N : 5 A	typically 66 mV	I_N : 70 %	typically 52 mV
I_N : 6 A	typically 74 mV	I_N : 70 %	typically 59 mV
I_N : 7 A	typically 83 mV	I_N : 70 %	typically 65 mV
I_N : 8 A	typically 92 mV	I_N : 70 %	typically 71 mV
I_N : 9 A	typically 101 mV	I_N : 70 %	typically 77 mV
I_N : 10 A	typically 110 mV	I_N : 70 %	typically 83 mV

2) depending on power source

Fail-safe element integral blade fuse adjusted to related current rating I_N	I_N : 1 A (CL2) I_N : 2 A (CL2) I_N : 3 A I_N : 3A-CL2 I_N : 4 A I_N : 4 A-CL2 I_N : 6 A I_N : 8 A I_N : 10 A I_N : 1 A/1 A (CL2) I_N : 2 A/2 A (CL2) I_N : 3 A/3 A I_N : 3 A/3 A-CL2 I_N : 4 A/4 A I_N : 4 A/4 A-CL2 I_N : 6 A/6 A I_N : 1 A-4 A-CL2 I_N : 1 A-10 A	fail-safe I_N : 1 A fail-safe I_N : 2 A fail-safe I_N : 3.15 A fail-safe I_N : 4 A fail-safe I_N : 4 A fail-safe I_N : 4 A fail-safe I_N : 6.3 A fail-safe I_N : 8 A fail-safe I_N : 10 A fail-safe I_N : 1 A/1 A fail-safe I_N : 2 A/2 A fail-safe I_N : 3.15A/3.15A fail-safe I_N : 4 A/4 A fail-safe I_N : 4 A/4 A fail-safe I_N : 4 A/4 A fail-safe I_N : 6.3 A/6.3 A fail-safe I_N : 4 A failsafe I_N : 16 A
--	---	--

operating voltage monitoring re. undervoltage	OFF at typically $U_B < 16.0\text{ V}$ ON at typically $U_B > 19.0\text{ V}$ hysteresis typically 2 V with automatic OFF and ON switching
---	--

ON delay - with power ON	channel 1: typically 100 ms (REX12-TAx) channel 2: typically 200 ms (REX12-TAx) channel 1: typically 1,500 ms (REX12D-TE2) channel 2: typically 1,600 ms (REX12D-TE2)
- when switching on with ON/OFF switch or - after undervoltage	channel 1: typically 5 ms channel 2: typically 100 ms channel 1: typically 5 ms channel 2: typically 5 ms

disconnection of	- manually on the device with the ON/OFF momentary switch - after an overload / short circuit disconnection with storage (no automatic reset) - temporarily at undervoltage - at no operating voltage
------------------	--

Switch-on of load circuit - momentary switch ON/OFF	device can only be switched on when operating voltage is applied
- applying operating voltage	The device starts up with the condition last stored.

4

Technical data ($T_{amb} = +23\text{ °C}$, $U_B = DC\ 24\ V$)

Enquire adjusted current rating with REX12D-TE2

Enquiry of currently adjusted current rating, independent of the operating mode (COM or standard), possible for each channel directly on the REX12D-TE2

Enquiry mode is started by pushing the button between ≥ 2 seconds and < 5 seconds After releasing the button, the LED is RED for 333 ms to indicate start of enquiry. Afterwards, the LED flashes ORANGE in a puls/break ratio of 1/2 with a frequency of 1 Hz to indicate the adjusted current value. When the adjusted current rating is reached, signalling re-starts after the RED LED re-lights for 333 ms. The enquiry mode is left after the adjusted current rating was signalled 5 times or by pressing the button. Visual indication will now show again the current operating condition.

The enquiry mode is possible in all operating conditions (ON, OFF, UNDERVOLTAGE and TRIPPED).

Adjustment of current rating with REX12D-TE2

The adjustment mode directly on the REX12D-TE2 can only be activated in the standard mode

The adjustment mode is started per channel by pushing the button for ≥ 5 seconds. After releasing the button, the LED is RED for 333 ms to indicate start of adjustment. The LED is blinking GREEN with a pulse/break ratio of 1/4 at a frequency of 0.6 Hz for visual indication. GREEN After reaching the max. adjustment value, signalling re-starts. Overrun of the max. adjustment value after 1 Ampere is indicated by the RED LED (333 ms). The current rating to be adjusted is adopted by pushing the button during the blinking period of 1 A up to the max. adjustment value. If for instance the button is pushed after the 7th illumination of the GREEN LED, 7A is adopted as current rating and visual indication again shows the current operating condition. If the button is not pressed, the adjustment mode is left after 5 times signalling the current rating range without a new current rating being adopted and the visual indication returns to current status indication.

The adjustment mode is possible in all operating conditions (ON, OFF, UNDERVOLTAGE and TRIPPED).

Go to video **Mounting and operation:**



Reset function

a blocked load output (blocked by overload / short circuit) can externally be reset by the ON/OFF momentary switch

Leakage current in load circuit in OFF condition

typically $< 1\text{ mA}$

Technical data ($T_{amb} = +23\text{ °C}$, $U_B = DC\ 24\ V$)

Capacitive loads	up to 20,000 μF : depending on: cable attenuation, power supply used, load current and current rating	
Free-wheeling diode	external free-wheeling circuit at inductive load (rating according to load)	
Parallel connection of several load outputs	not allowed	
Status output SM	status indicator in REX system	
Electrical data	minus switching signal output Group signalling is implemented in connection with EM12-T supply module	
Terminals LOAD+		
Push-in terminal PT 2.5	0.14 mm ² ...2.5 mm ²	flexible AWG24 – AWG14 rigid
stripping length	8 mm...10 mm	
Dimensions (w x h x d)	12.5 x 80 x 98.5 mm	
Mass		
REX12-TA1-xxx 1-channel approx. 57 g		
REX12-TB1-xxx 2-channel approx. 60 g		
REX12-TA2-xxx 2-channel approx. 58 g		
REX12D-TE2-xxx 2-channel approx. 62 g		
General data REX / EM / PM		
Housing material	moulded	
Mounting	symmetrical rail to EN 60715-35x7.5	
Ambient temperature T_U	-25 °C...+60 °C (without condensation, cf. EN 60204-1)	
Storage temperature	-40 °C ... +70 °C	
Mounting temperature	+5°...+60 °C	
Humidity	96 hrs / 95% RH/40 °C to IEC 60068-2-78-Cab climate class 3K3 to EN 60721	
Altitude	2,000 m above sea level 3,000m above sea level up to +55 °C 4,000m above sea level up to +50 °C	
Operation pressure	4 bar above atmospheric pressure	
Corrosion	96hrs. in 5 % salt mist to IEC 60068-2-11 test Ka	
EM accessories		
Vibration	5 g test to IEC 60068-2-6, test Fc	
Degree of protection (IEC 60529, DIN VDE 0470)	operating area REX12: IP30	
terminal area EM, PM:	IP20	
EMC requirements (EMC directive, CE logo)	noise emission	EN 61000-6-3
	susceptibility:	EN 61000-6-2
Insulation co-ordination (IEC 60934)	0.5 kV / pollution degree 2	
Dielectric strength	max. DC 30 V (load circuit)	
Insulation resistance (OFF condition)	n/a, only electronic disconnection	
Conformity	CE marking	

Approvals and standards

Approval authority	Standard	UL file no.	Voltage ratings	Current rating range
UL	UL 2367, UL 1310 NEC Class2	E306740	DC 24 V	1...10 A 1 A, 2 A, 3 A, 4 A, 1 A...4 A
UL	CSA C22.2 No. 213 (Class I, Division 2, Groups A, B, C, D)	E320024	DC 24 V	1...10 A
UL	UL 508 listed, CSA C22.2 No. 14	E492388	DC 24 V	1 A...10 A

PM and EM – accessories approvals see technical data of accessories

Preferred types - a short explanation

Preferred types are E-T-A products most frequently used by E-T-A customers. We manufacture E-T-A preferred types in particularly high

volumes. Our preferred types are supplied at shorter lead times than non-standard versions.

Preferred types

Preferred types	Short description	Preferred ratings (A)						
		2	4	6	10	2/2	4/4	6/6
REX12-TA1	1-channel							
REX12-TA1-107-DC24V-		x	x	x	x			
REX12-TA2	2-channel							
REX12-TA2-107-DC24V-						x	x	x
REX12D-TE2	2-channel, adjustable	1 A...10 A						
REX12D-TE2-100-DC24V-		x						

Ordering number code – REX12-T

Type	REX12	Electronic circuit protector with PT connection technology	
Mounting method	T	rail mounting	
Design	A	1 load output terminal per channel, fixed current ratings xA or xA/xA	
	B	2 load output terminals per channel, fixed current ratings xA (only 1 channel)	
Number of channels	1	1 channel (only 1-channel)	
	2	2 channels	
Version	1	without physical isolation	
Signal input	0	without signal input	
Signal output	7	status output	
Operating voltage	DC 24 V	voltage rating DC 24 V	
Rated current	1 A	(only 1 channel, Class2)	
	2 A	(only 1 channel, Class2)	
	3 A	(only 1 channel)	
	4 A	(only 1 channel)	
	6 A	(only 1 channel)	
	8 A	(only 1 channel)	
	10 A	(only 1 channel)	
	1 A / 1 A	(only 2 channels, Class2)	
	2 A / 2 A	(only 2 channels, Class2)	
	3 A/3 A	(only 2 channels)	
	4 A/4 A	(only 2 channels)	
	6 A/6 A	(only 2 channels)	
Approval	CL2	Class2 (only 3A and 4A versions)	
REX12 - T	A 1 - 1	0 7 -DC24V - 10 A	example (1-channel)
REX12 - T	A 2 - 1	0 7 -DC24V - 4A/4A - CL2	example (2-channel)

Ordering number code – REX12D-TE2

Type	REX12D	intelligent electronic circuit protector with PT connection technology	
Mounting method	T	rail mounting	
Design	E	1 load output terminal per channel, variable current ratings xA/xA, adjustable standard and COM mode	
Number of channels	2	2 channels	
Version	1	without physical isolation	
Signal input	0	without signal input	
Signal output	0	without signal output	
Operating voltage	DC 24 V	voltage rating DC 24 V	
Rated current	1 A - 10 A	(only 2 channels)	
	1 A - 4 A	(only 2 channels)	
Approvals	CL2	Class2 (only for 1 A - 4 A version)	
REX12D-T	E 2 - 1	0 0 - DC24V - 1 A-10 A CL2	ordering example

Custom designed versions

Looking for a version you cannot find in our ordering number code? Please get in touch. We will be pleased to find a solution for you.

Overview of ordering number codes

Supply module	EM12-T00-000-DC24V-40A EM12-T01-001-DC24V-40A
Circuit protectors: 1-channel	REX12-TA1-107-DC24V-1A (Class2) REX12-TA1-107-DC24V-2A (Class2) REX12-TA1-107-DC24V-3A REX12-TA1-107-DC24V-3A-CL2 (Class2) REX12-TA1-107-DC24V-4A REX12-TA1-107-DC24V-4A-CL2 (Class2) REX12-TA1-107-DC24V-6A REX12-TA1-107-DC24V-8A REX12-TA1-107-DC24V-10A
Circuit protectors: 1-channel 2 load output terminals	REX12-TB1-107-DC24V-1A (Class2) REX12-TB1-107-DC24V-2A (Class2) REX12-TB1-107-DC24V-3A REX12-TB1-107-DC24V-3A-CL2 (Class2) REX12-TB1-107-DC24V-4A REX12-TB1-107-DC24V-4A-CL2 (Class2) REX12-TB1-107-DC24V-6A REX12-TB1-107-DC24V-8A REX12-TB1-107-DC24V-10A
Circuit protectors: 2-channel	REX12-TA2-107-DC24V-1A/1A (Class2) REX12-TA2-107-DC24V-2A/2A (Class2) REX12-TA2-107-DC24V-3A/3A REX12-TA2-107-DC24V-3A/3A-CL2 (Class2) REX12-TA2-107-DC24V-4A/4A REX12-TA2-107-DC24V-4A/4A-CL2 (Class2) REX12-TA2-107-DC24V-6A/6A
Circuit protectors 2-channel, adjustable	REX12D-TE2-100-DC24V-1A-4A-CL2 (Class 2) REX12D-TE2-100-DC24V-1A-10A
Accessories	
Supply modules	EM12-T00-100-LINE-40A EM12-T00-200-LINE-40A EM12-T00-000-GND-40A EM12-T00-300-GND-40A
Potential modules	PM12-T01-00-LOAD-20A PM12-T02-00-LOAD-20A PM12-T03-00-GND-20A

REX12-Quat-Pack-1A-10A electronic circuit protector

REX12-Quat-Pack-1A-10A

4-channel pack, selective load protection, voltage rating DC24V variable current ratings 1A-10A in 1A steps, rail mounting, installation width 37.5 mm, push-in connection technology, signalling with auxiliary contact N/O

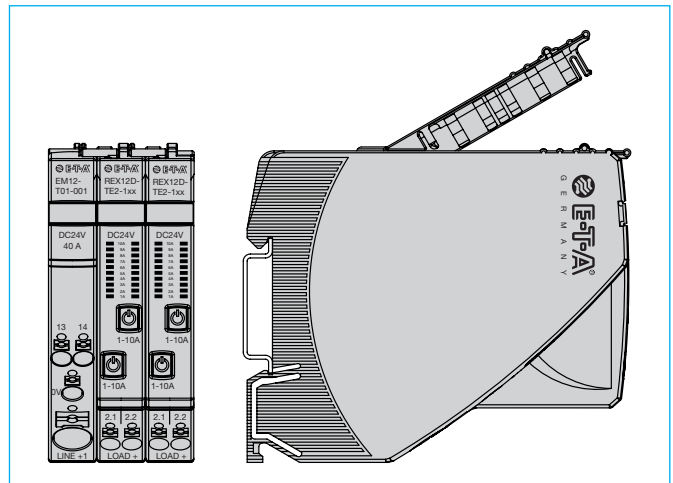
current ratings 4 x 1A-10A adjustable

A pack consists of

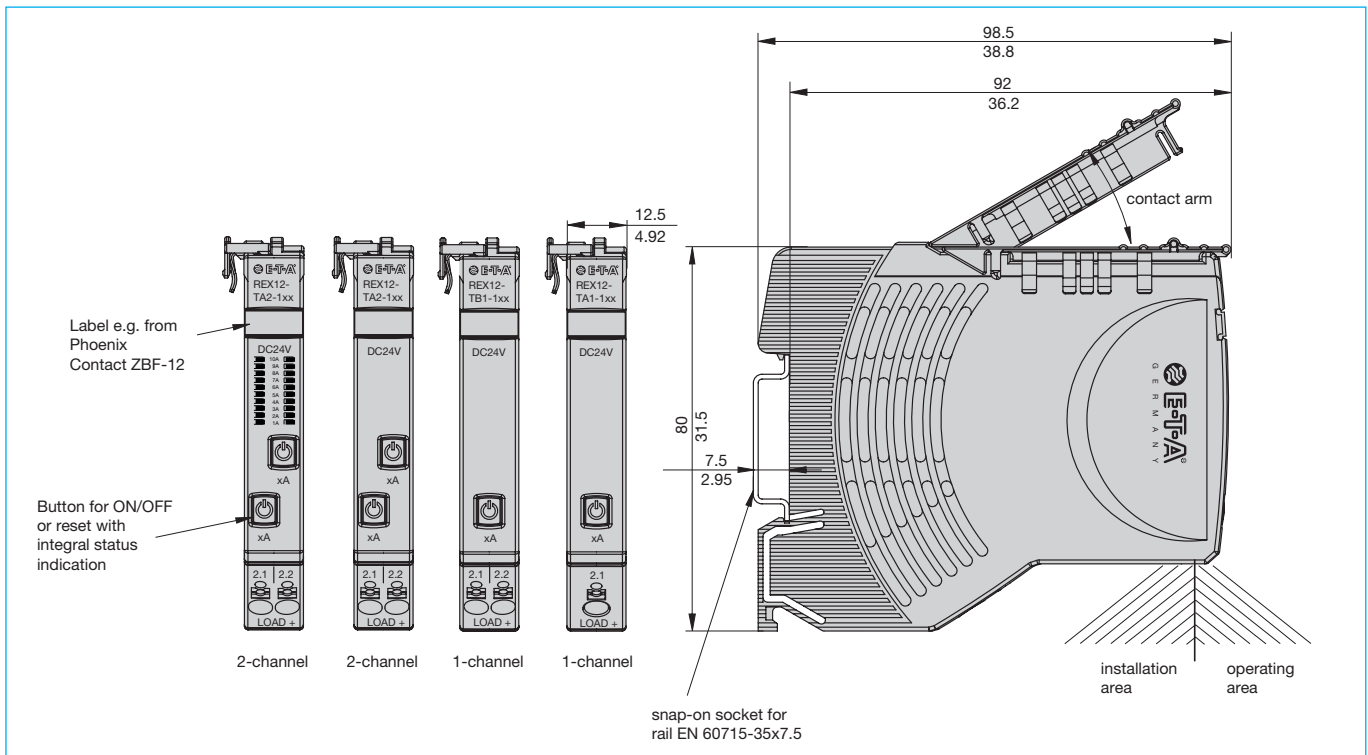
- 1 supply module, EM12-T01-001-DC24V-40A
- 2 circuit protectors, 2-channel, adjustable 1-10A, REX12D-TE2-100-DC24V-1A-10A

part number: X22378501

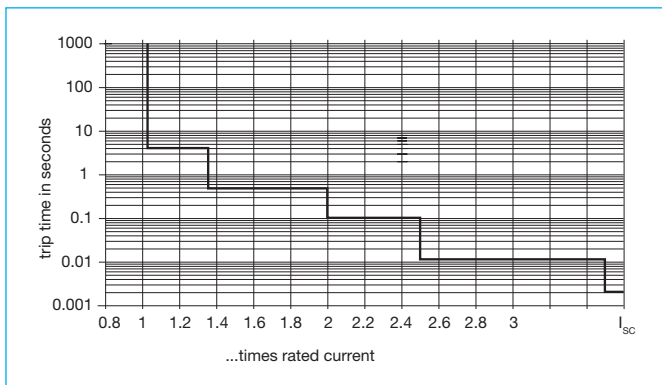
REX12-Quat-Pack-1A-10A



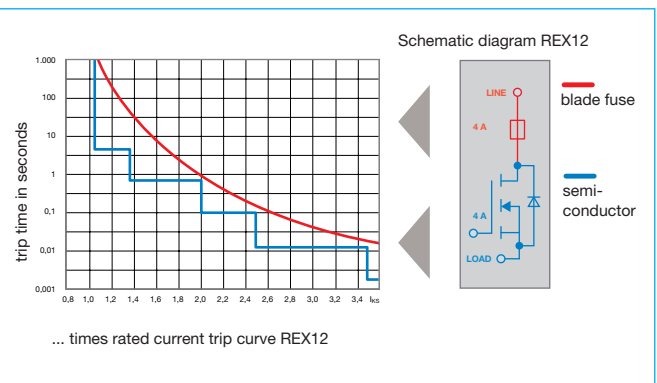
Dimensions with connection diagram: REX12-TA1-xxx / REX12-TB1-xxx / REX12-TA2-xxx / REX12D-TE2-xxx



Typical time/current characteristic ($T_{amb} = +23\text{ }^{\circ}\text{C}$, $UB = DC - 24\text{ V}$)



Basic trip curve and schematic diagram REX12



Temperature factor / continuous duty

The time/current characteristic depends on the ambient temperature. In order to determine the max. load current, please multiply the current rating with the temperature factor and consider the factor for side-by-side mounting.

Temperature factor table:

ambient temperature [$^{\circ}\text{C}$]	0	10	23	40	50	60
temperature factor	1	1	1	0.95	0.90	0.85

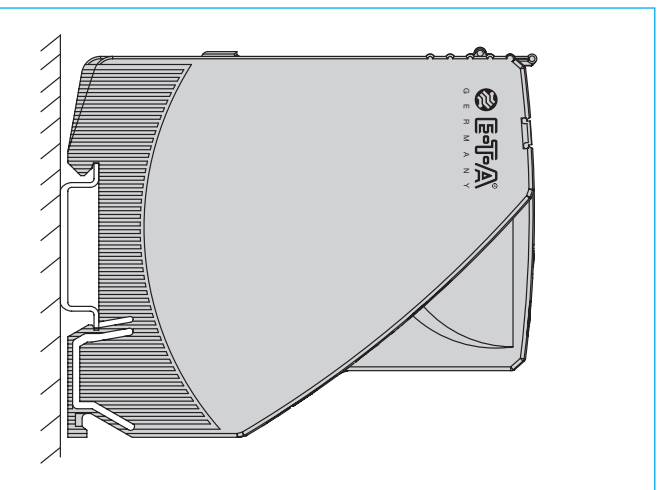
Note:

When mounted side-by-side, the devices can carry max. 80 % of their rated load or a different rating has to be selected (see Technical Information on www.e-t-a.de/ti_d)

With high temperatures, the load current warning threshold "warn limit typically $0.9 \times I_N$ " will be reduced in accordance with the temperature factor.

Selection of current rating of the circuit protector \leq rating of power supply.

Mounting position REX... preferred mounting position horizontal



Description - EM12-T supply module

The EM12-T supply module receives the DC 24 V supply voltage, e.g. from a switch mode power supply, and distributes it to the mounted circuit protectors via the integral connector arm of the REX12-T.

The potential-free auxiliary contact in the EM12-T indicates any detected failures through the circuit protector, e.g. to the superordinate control unit (CPU).

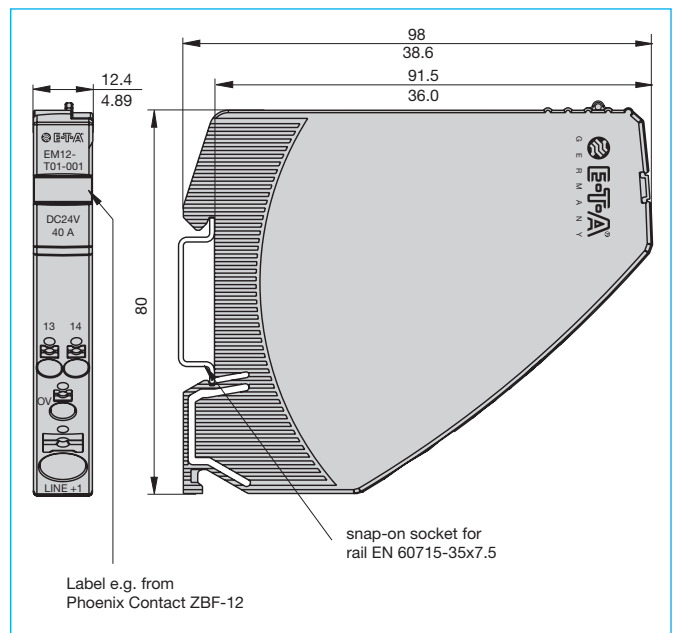
Technical data ($T_{amb} = +23\text{ }^{\circ}\text{C}$, $U_B = \text{DC } 24\text{ V}$)

Operating voltage U_B	DC 24 V (18...30 V)
Operating current I_B	max. 40 A
Reverse polarity protection	Yes
Signalling	only EM12-T01-001-DC24V-40A
Quiescent current I_0	typically 10 mA
potential-free auxiliary change-over contact	max. DC 30 V / 0.5 A min. 10 V / 1 mA
Group signalling Si contact: Si (13) / Si (14)	auxiliary contact, make contact
normal condition:	Auxiliary contact closed based on all protection modules <ul style="list-style-type: none"> - when ON, load output connected - when OFF, load output disconnected
Fault condition:	Auxiliary contact open based on one or more protection modules <ul style="list-style-type: none"> - after overload or short circuit trip - after undervoltage release of operating voltage in ON condition with autoreset - at no operating voltage U_B in supply module
Insulation co-ordination	0.5 kV / pollution degree 2
Power failure buffering time	Si up to 10 ms
Screw terminals	LINE+
Push-in terminal PT 10	0.5 mm ² ...10 mm ² flexible AWG24 – AWG8 rigid 18 mm
stripping length	18 mm
Screw terminals	0 V / Si 13 / Si 14
Push-in terminal PT 2.5	0.14 mm ² ... 2.5 mm ² flexible AWG24 – AWG14 rigid 8 mm...10 mm
stripping length	8 mm...10 mm
Dimensions (w x h x d)	12.5 x 80 x 98 mm
Mass	approx. 52 g
Circuit protectors can be mounted side-by-side REX12-Tx1-x or REX12-TA2-x or REX12D-TE2 2-channel max. 16 pcs	

Ordering number code - EM12

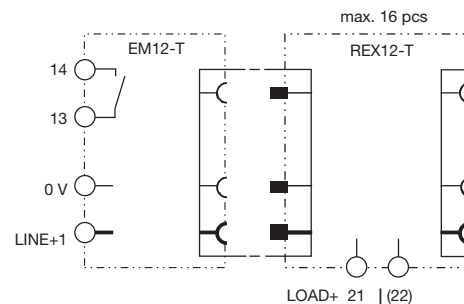
Type	EM12	supply module for REX12, with PT connection technology
Mounting method	T	rail mounting
Version: Communication, interface	00	without signal
	01	analog signal
Additional functionality	0	without
Signal input	0	without signal input
Signal output	0	without auxiliary contact
	1	signal make contact
Operating voltage	DC 24 V	voltage rating DC 24 V
Rated current	40 A	Rated current 40 A
Ordering example	EM12 - T 01 - 0 0 1 - DC 24 V - 40 A	

Dimensions EM12-T01-xxx supply module

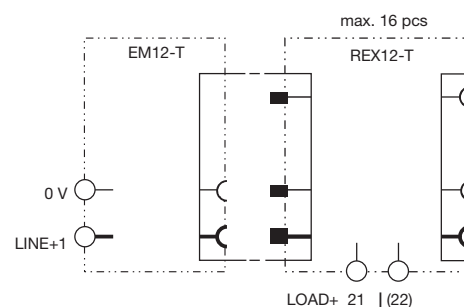


Schematic diagram EM12-Txx-xxx with REX12-xx

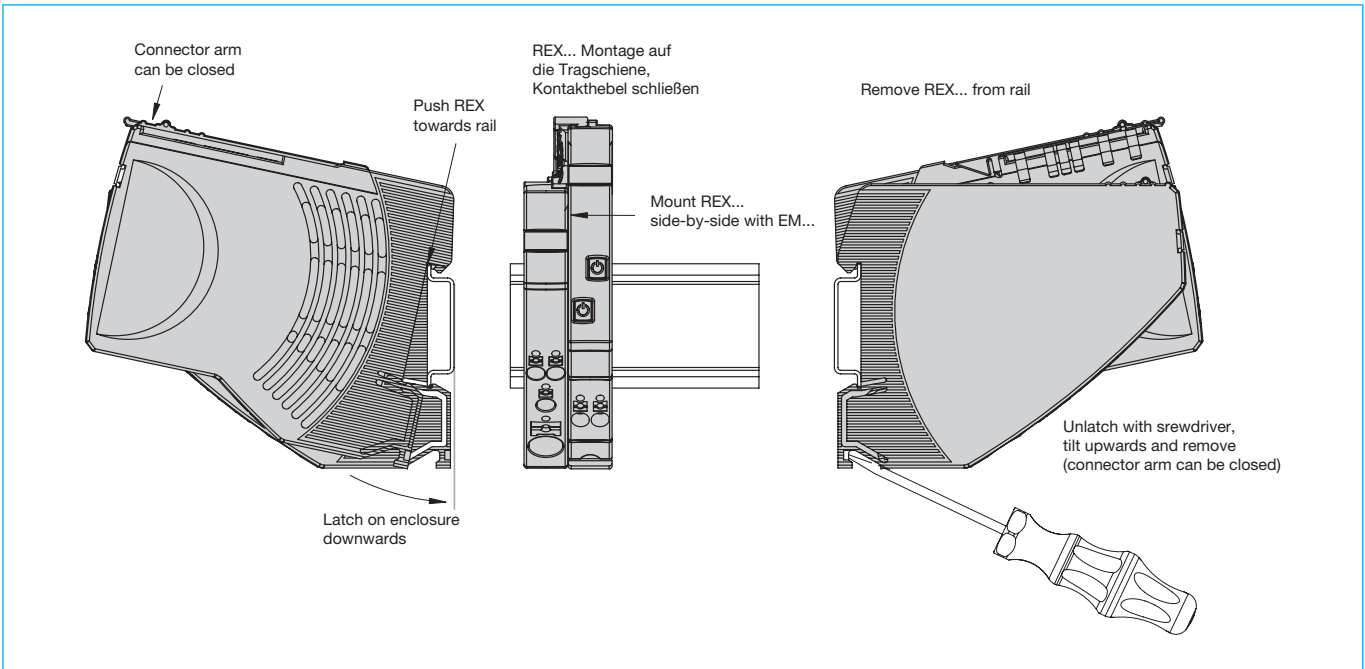
EM12-T01-001-DC24V-40A



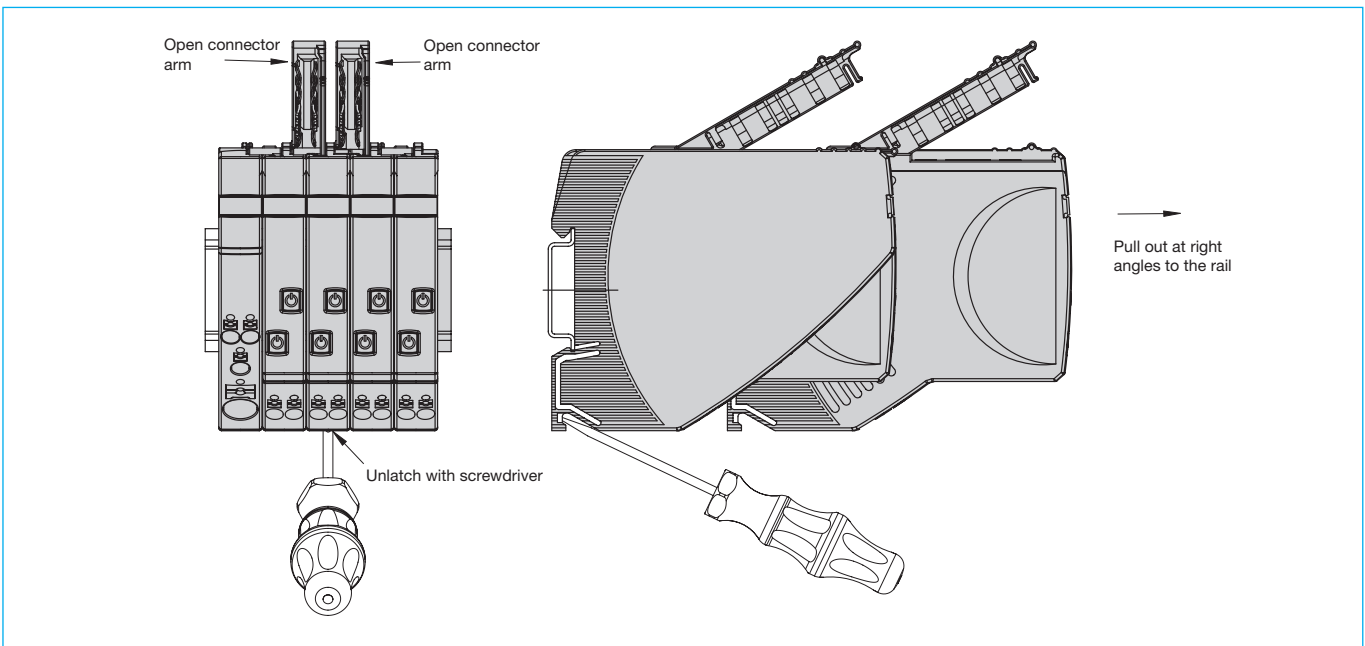
EM12-T00-000-DC24V-40A



Application example: REX... mounting on or removing from symmetrical rail



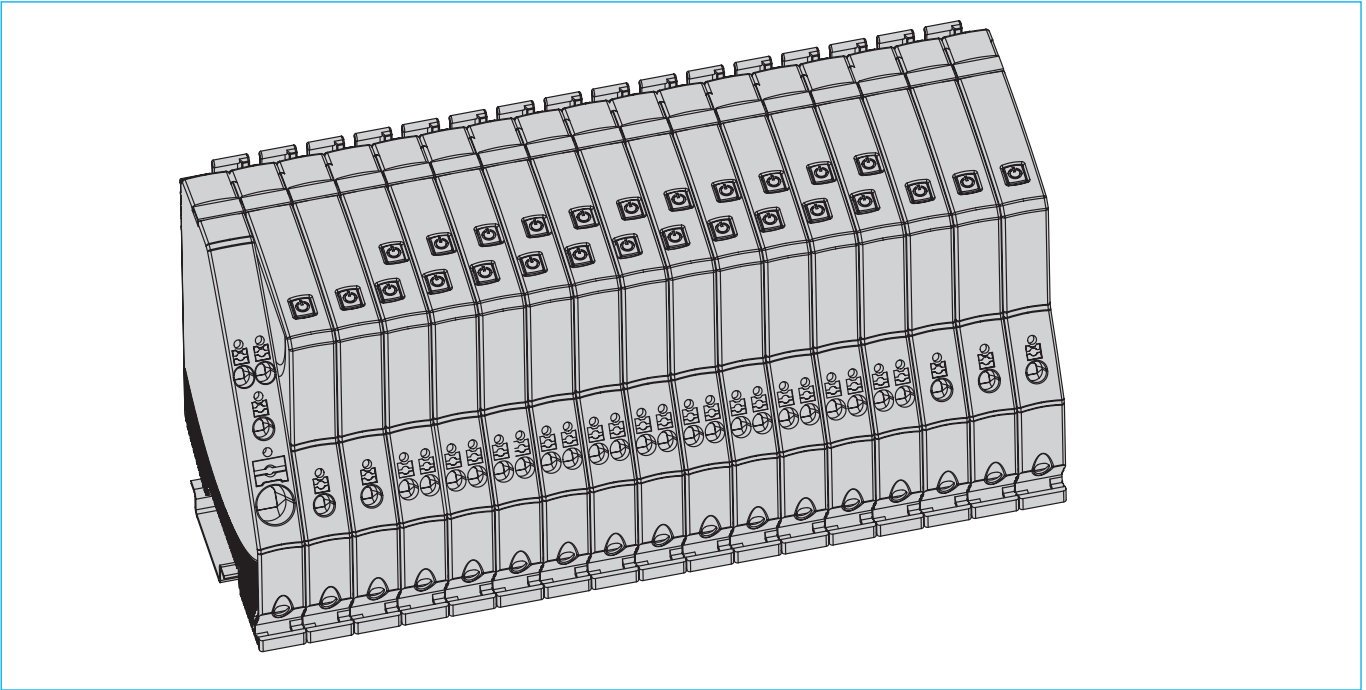
Application example: REX... Replacement or disassembly



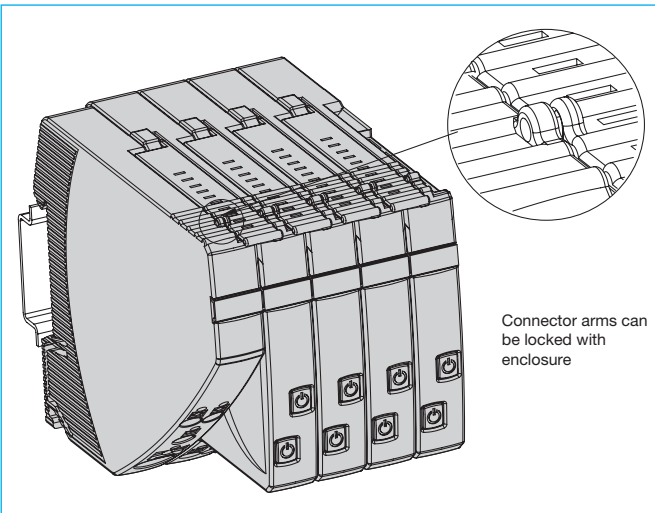
Instructions for installation

Mounting or actuation of the REX connector arm must only be effected at dead-voltage. For start-up the REX connector arm must be closed.

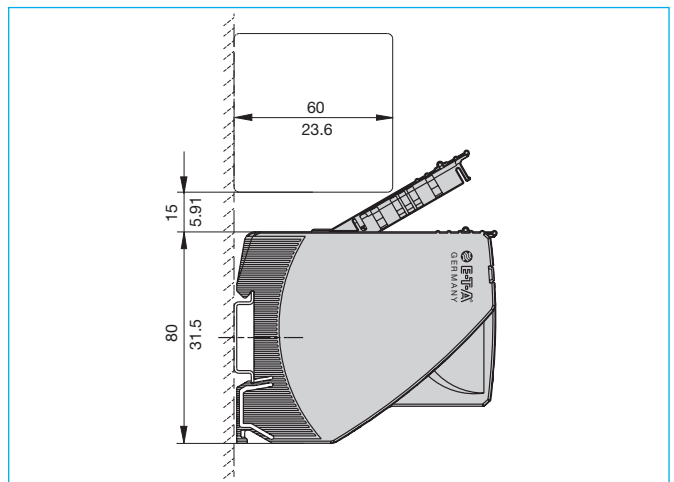
Application example: EM12-T with REX12-TA1... and REX12-TA2...



Application example: REX... Locked connector arms



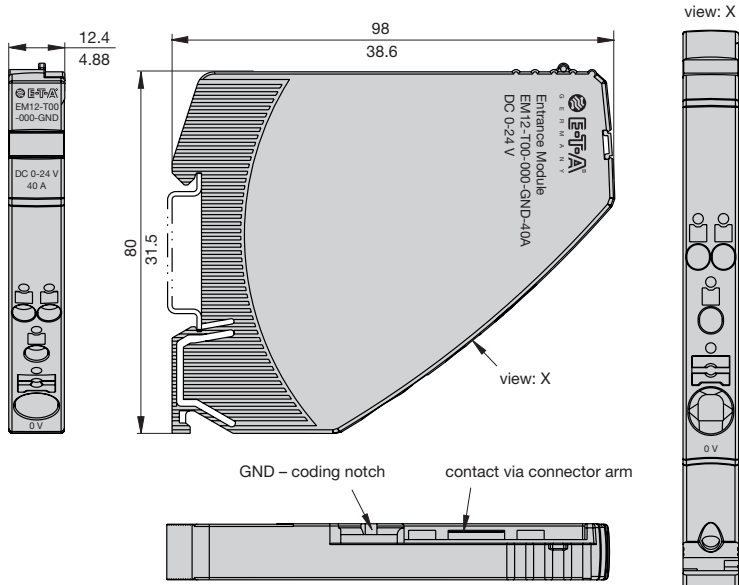
Application example: REX12(D)-T... distance between cable duct and connector arm



All information and data given on our products are accurate and reliable to the best of our knowledge, but E-T-A does not accept any responsibility for the use in applications which are not in accordance with the present specification. E-T-A reserves the right to change specifications at any time in the interest of improved design, performance and cost effectiveness. Dimensions are subject to change without notice. Please enquire for the latest dimensional drawing with tolerances if required. All dimensions, data, pictures and descriptions are for information only and are not binding. Amendments, errors and omissions excepted. Ordering codes of the products may differ from their marking.

Accessories

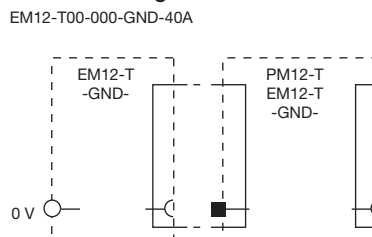
EM12-T00-000-GND-40A supply module left - 0V - GND



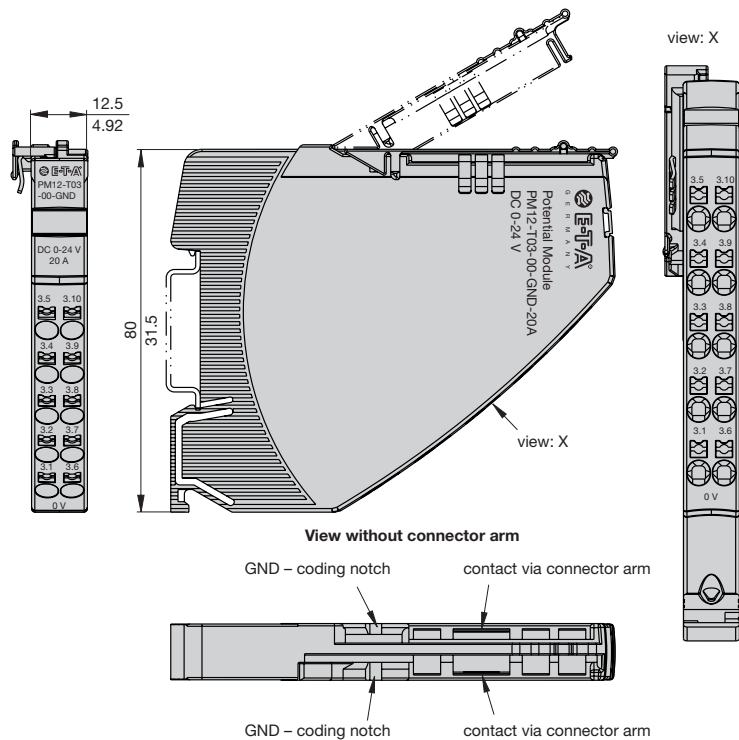
Technical data

Please observe general data of REX / EM / PM	
Operating voltage U_B	0 V – DC 24 V (0...30 V)
Operating current I_B	max. load 40 A
line terminal	0 V – GND
Push-in terminal PT 10	0.5 mm ² ...10 mm ² flexible AWG24 – AWG8 rigid
stripping length	18 mm
Dimensions (w x h x d)	12.5 x 80 x 98 mm
Mass	approx. 40 g
Approvals	UL 1059, File # E335289

Schematic diagram



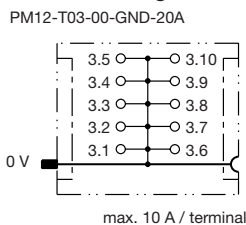
PM12-T03-00-GND-20A potential module - GND (10-way)



Technical data

Please observe general data of REX / EM / PM	
Operating voltage U_B	0 V – DC 24 V (0 ... 30 V)
Operating current I_B	max. load 20 A
line terminal	0 V – GND
Push-in terminal PT 2.5	0.14 mm ² ...2.5 mm ² flexible AWG24 – AWG14 rigid
stripping length	8 mm...10 mm
Dimensions (w x h x d)	12.5 x 80 x 98 mm
Mass	approx. 52 g
Approvals	UL 1059, File # E335289

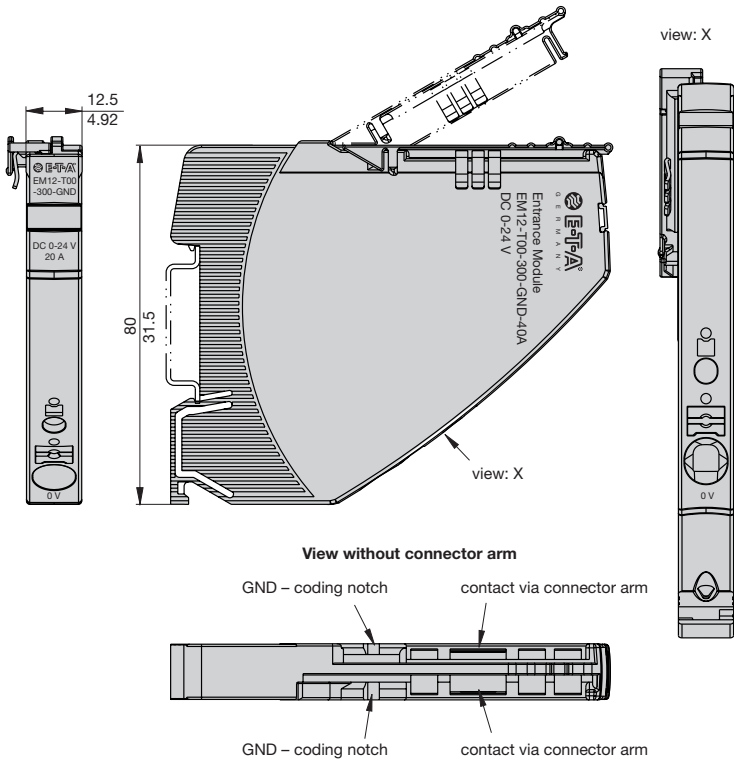
Schematic diagram



4

Accessories

EM12-T00-300-GND-40A supply module centre/right – 0V – GND

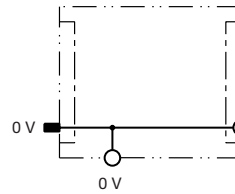


Technical data

Please observe general data of REX / EM / PM	
Operating voltage U_0	DC 24 V (0 ... 30 V)
Operating current I_B	max. load 40 A
line terminal	0 V – GND
Push-in terminal PT 10	0.5 mm ² ...10 mm ² flexible AWG24 – AWG8 rigid
stripping length	18 mm
Dimensions (w x h x d)	12.5 x 80 x 98 mm
Mass	approx. 45 g
Approvals	UL 1059, File # E335289

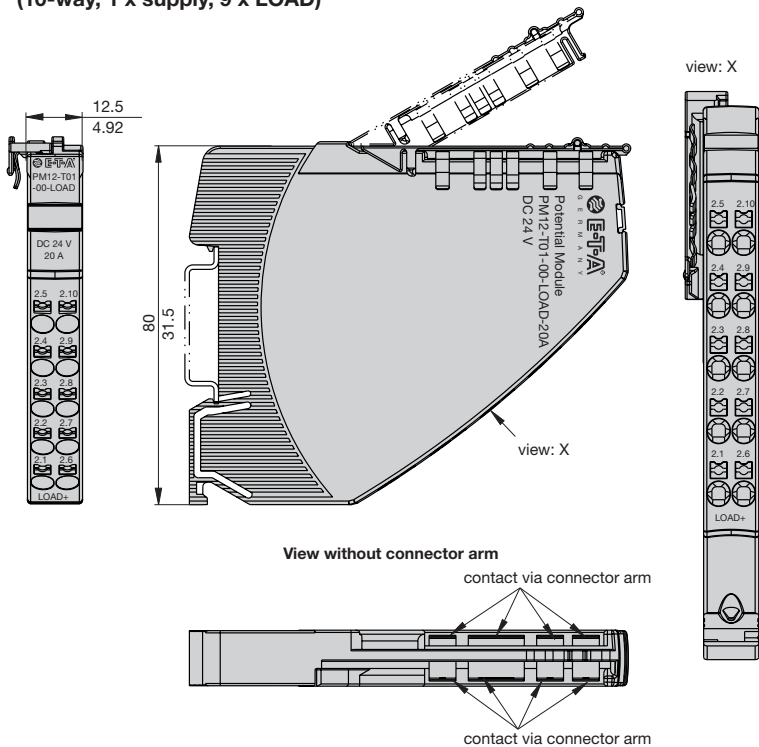
Schematic diagram

EM12-T00-300-GND-40A



Accessories

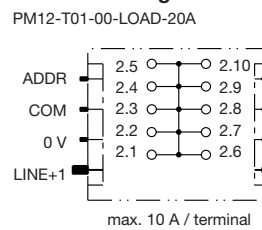
PM12-T01-00-LOAD-20A potential module – LOAD (10-way, 1 x supply, 9 x LOAD)



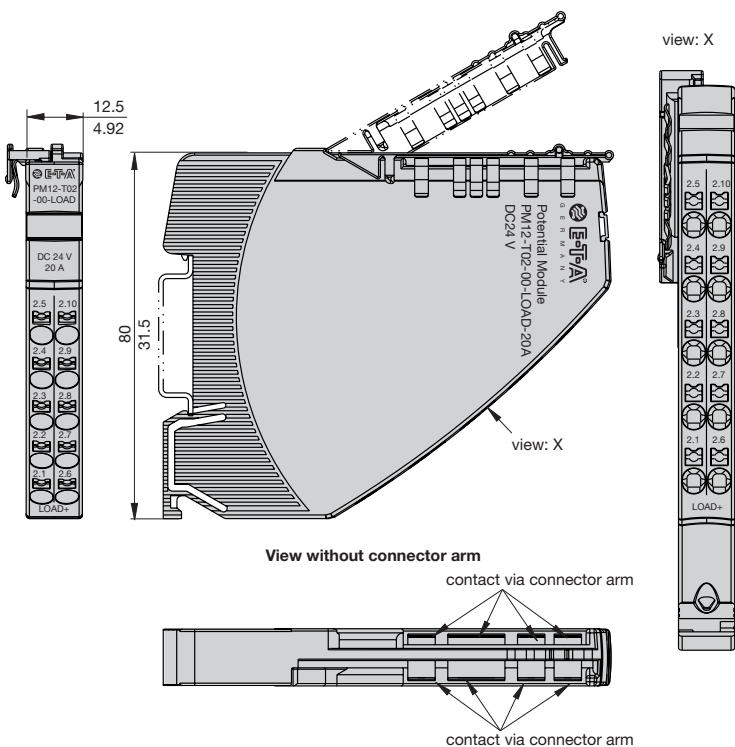
Technical data

Please observe general data of REX / EM / PM	
Operating voltage U_B	DC 24 V (18...30 V)
Operating current I_B	max. load 20 A
Insulation co-ordination	0.8 kV / pollution degree 2
Screw terminals	LOAD+
Push-in terminal PT 2.5	0.14 mm ² ...2.5 mm ² flexible AWG24 – AWG14 rigid
stripping length	8 mm...10 mm
Dimensions (w x h x d)	12.5 x 80 x 98 mm
Mass	approx. 52 g
Approvals	UL 1059, File # E335289

Schematic diagram



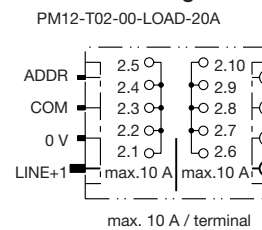
PM12-T02-00-LOAD-20A potential module – LOAD (2 x 5-way, 1 x supply and 4 x LOAD each)



Technical data

Please observe general data of REX / EM / PM	
Operating voltage U_B	DC 24 V (18...30 V)
Operating current I_B	max. load 20 A
Insulation co-ordination	0.8 kV / pollution degree 2
Screw terminals	LOAD+
Push-in terminal PT 2.5	0.14 mm ² ...2.5 mm ² flexible AWG24 – AWG14 rigid
stripping length	8 mm...10 mm
Dimensions (w x h x d)	12.5 x 80 x 98 mm
Mass	approx. 52 g
Approvals	UL 1059, File # E335289

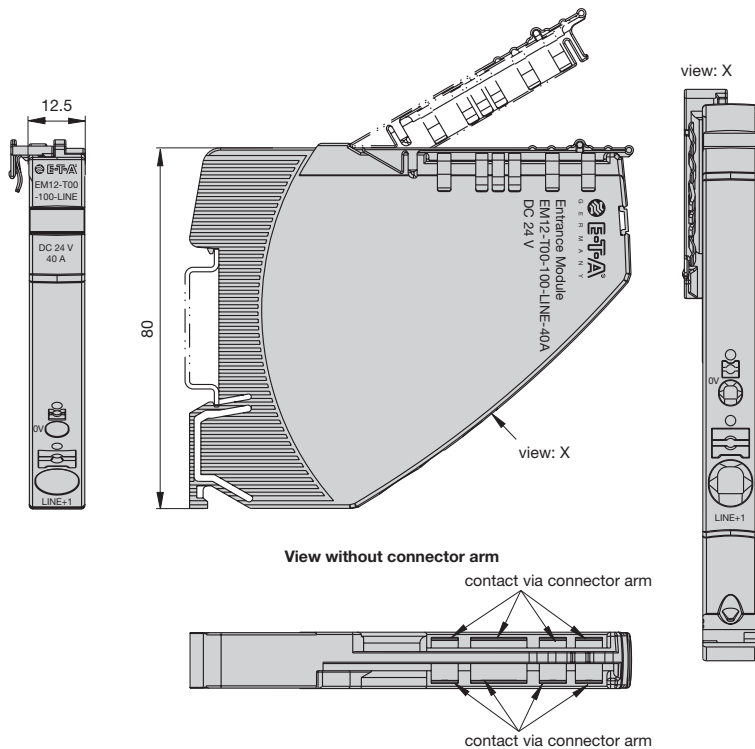
Schematic diagram



4

Accessories

EM12-T00-100-LINE-40A supply module centre/right – LINE, LINE connected

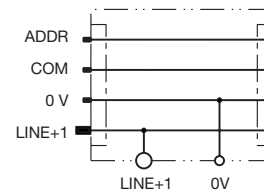


Technical data

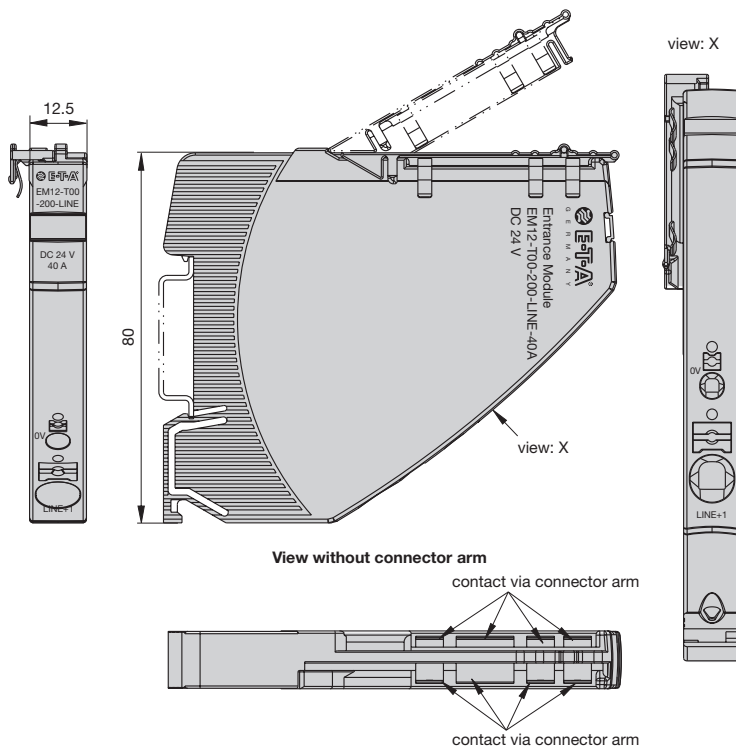
Please observe general data of REX / EM / PM	
Operating voltage U_B	DC 24 V (18...30 V)
Operating current I_B	max. load 40 A
Insulation co-ordination	0.8 kV / pollution degree 2
Screw terminals LINE+1	
Push-in terminal PT 10	0.5 mm ² ...10 mm ² flexible AWG24 – AWG8 rigid
stripping length	18 mm
Screw terminals 0 V	
push-in terminal PT 2.5	0.14mm ² ...2.5mm ² flexible AWG26 – AWG14 rigid
Stripping length	8 mm ... 10 mm
Dimensions (w x h x d)	12.5 x 80 x 98 mm
Mass	approx. 52 g
Approvals	UL 1059, File # E335289

Schematic diagram

EM12-T00-100-LINE-40A



EM12-T00-200-LINE-40A supply module centre/LINE, LINE separated

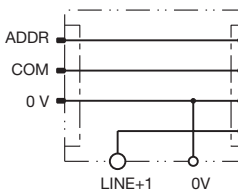


Technical data

Please observe general data of REX / EM / PM	
Operating voltage U_B	DC 24 V (18...30 V)
Operating current I_B	max. load 40 A
Insulation co-ordination	0.8 kV / pollution degree 2
Screw terminals LINE+1	
Push-in terminal PT 10	0.5 mm ² ...10 mm ² flexible AWG24 – AWG8 rigid
stripping length	18 mm
Screw terminals 0 V	
Push-in terminal PT 2.5	0.14mm ² ...2.5mm ² flexible AWG24 – AWG14 rigid
stripping length	8 mm...10 mm
Dimensions (w x h x d)	12.5 x 80 x 98 mm
Mass	approx. 52 g
Approvals	UL 2367, File # E306740; cULus508listed, File # E492388

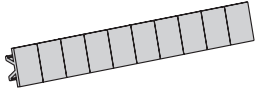
Schematic diagram

EM12-T00-200-LINE-40A



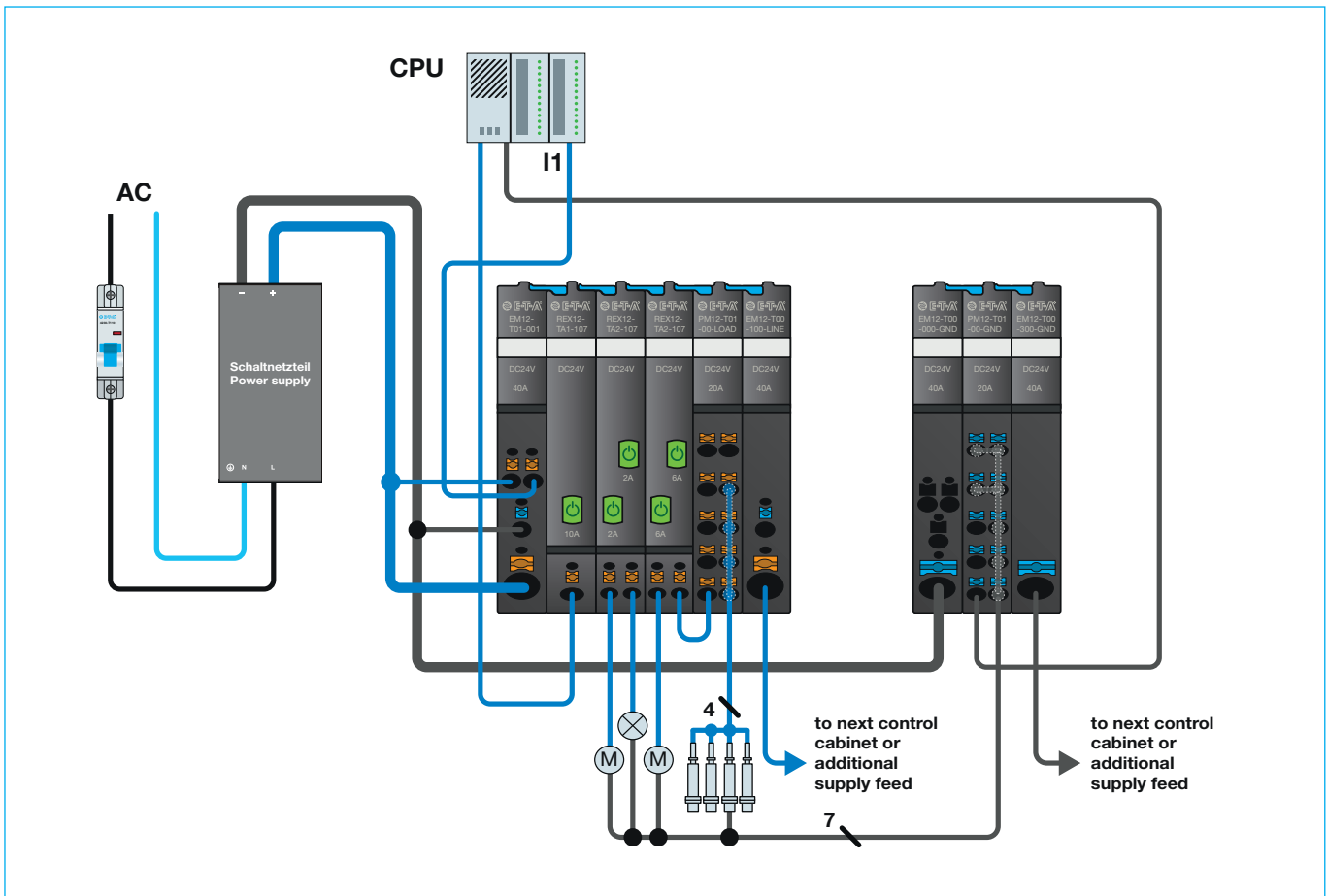
Accessories

Label
 Marking area 6 x 10 mm
 Part number Y 307 942 61



Note: Please use 2 strips per EM12, PM12 or REX12 module

Application example: EM12-T ... with REX12-TAx... and PM12-...



4

Mouser Electronics

Authorized Distributor

Click to View Pricing, Inventory, Delivery & Lifecycle Information:

E-T-A Circuit Breakers:

[REX12-TA1-107-DC24V-2A](#) [REX12-TA1-107-DC24V-10A](#) [REX12-TA1-107-DC24V-6A](#) [EM12-T01-001-DC24V-40A](#)
[REX12-TA1-107-DC24V-8A](#) [REX12-TA1-107-DC24V-4A](#) [REX12-TA2-107-DC24V-6A/6A](#) [REX12-TA2-107-DC24V-4A/4A](#) [REX12-TA2-107-DC24V-2A/2A](#) [REX12-TA1-107-DC24V-3A](#) [REX12-TA1-107-DC24V-1A](#) [REX12-TA2-107-DC24V-1A/1A](#) [REX12-TA2-107-DC24V-1A/1A](#)